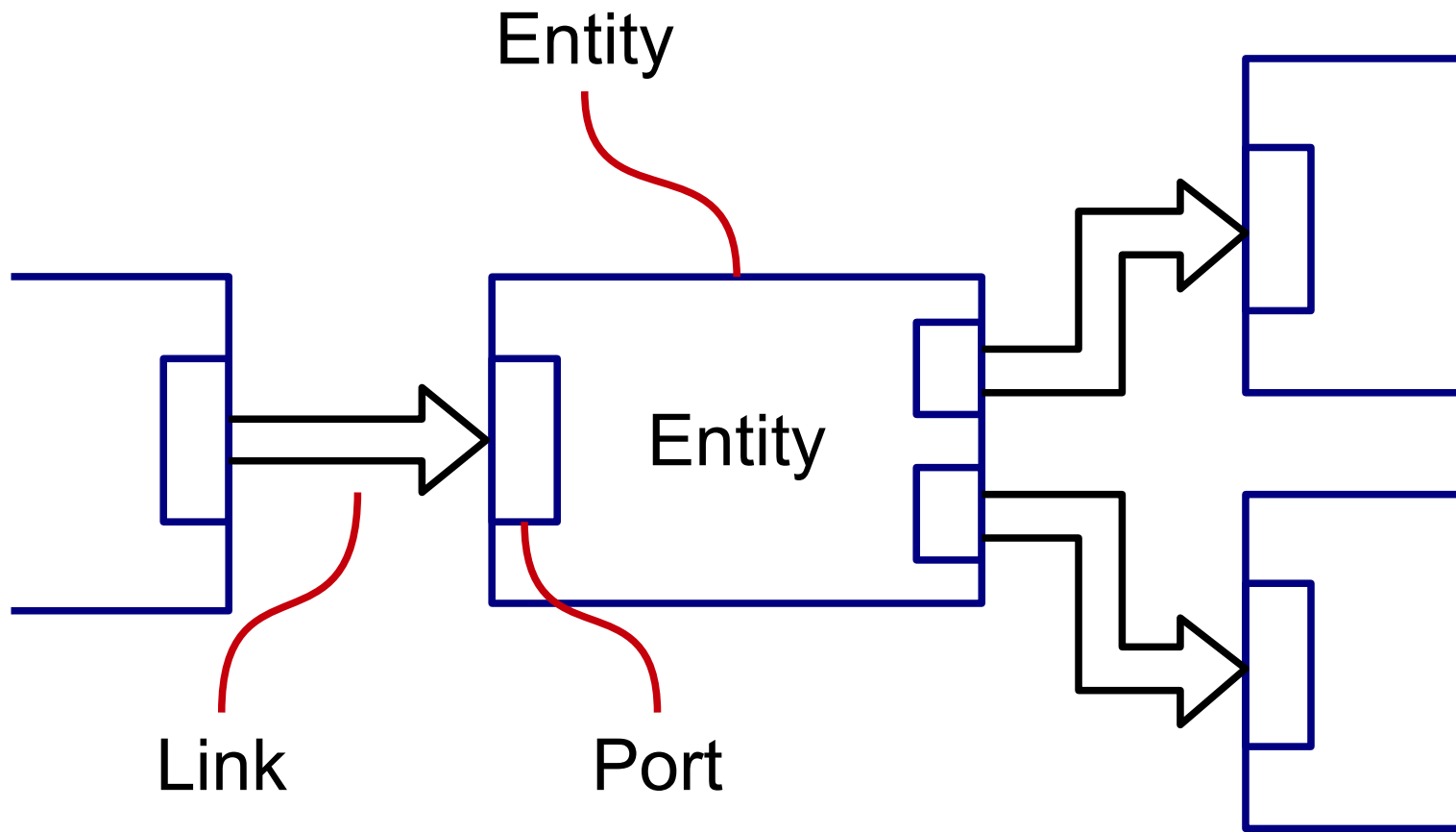


# **Common Display Framework**

Linaro Connect Europe  
Dublin – 2013/07/08

Laurent Pinchart  
[laurent.pinchart@ideasonboard.com](mailto:laurent.pinchart@ideasonboard.com)



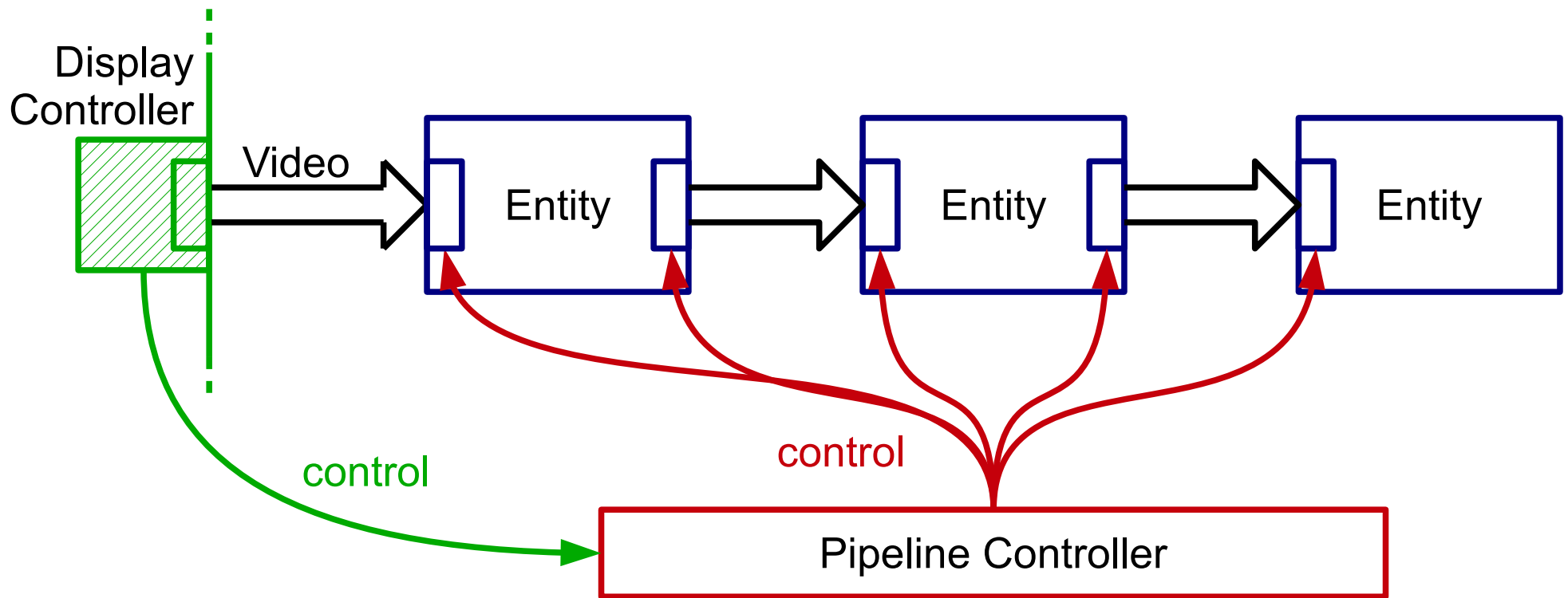
# Entity Model

```
hdmi_encoder {
    ports {
        #address-cells = <1>;
        #size-cells = <0>;

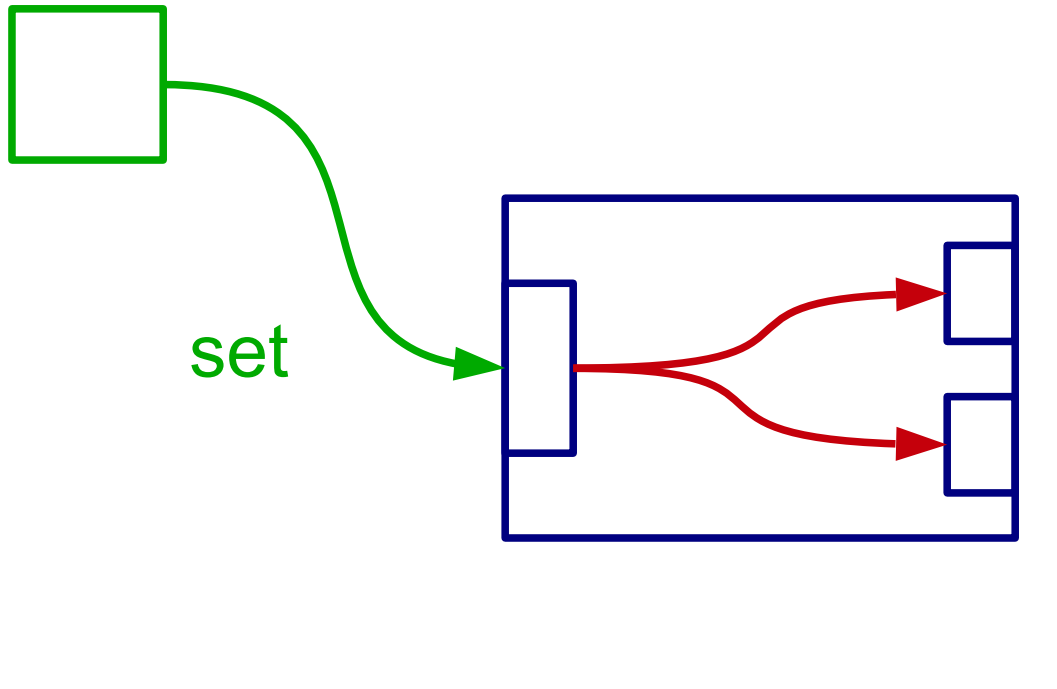
        port@0 {
            hdmi_input: endpoint@0 {
                remote = <&display_output>;
            };
        };
        port@1 {
            endpoint@0 { ... };
            endpoint@1 { ... };
        };
    };
};
```



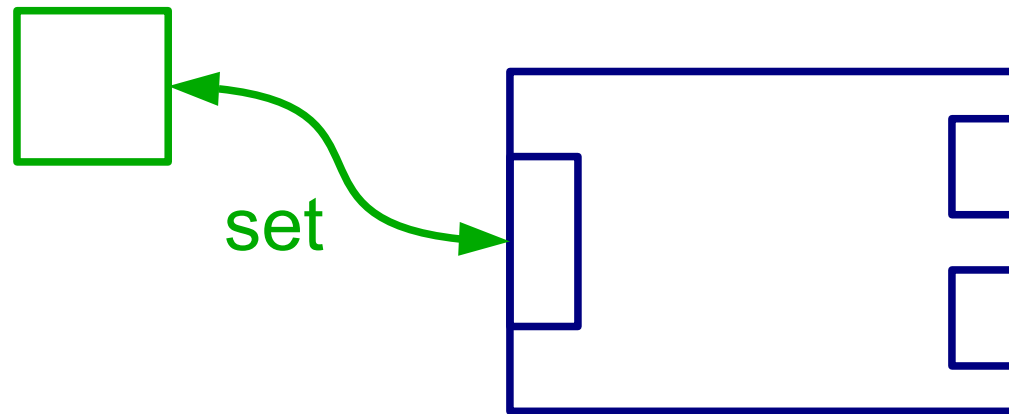
## Device Tree



# Configuration Model



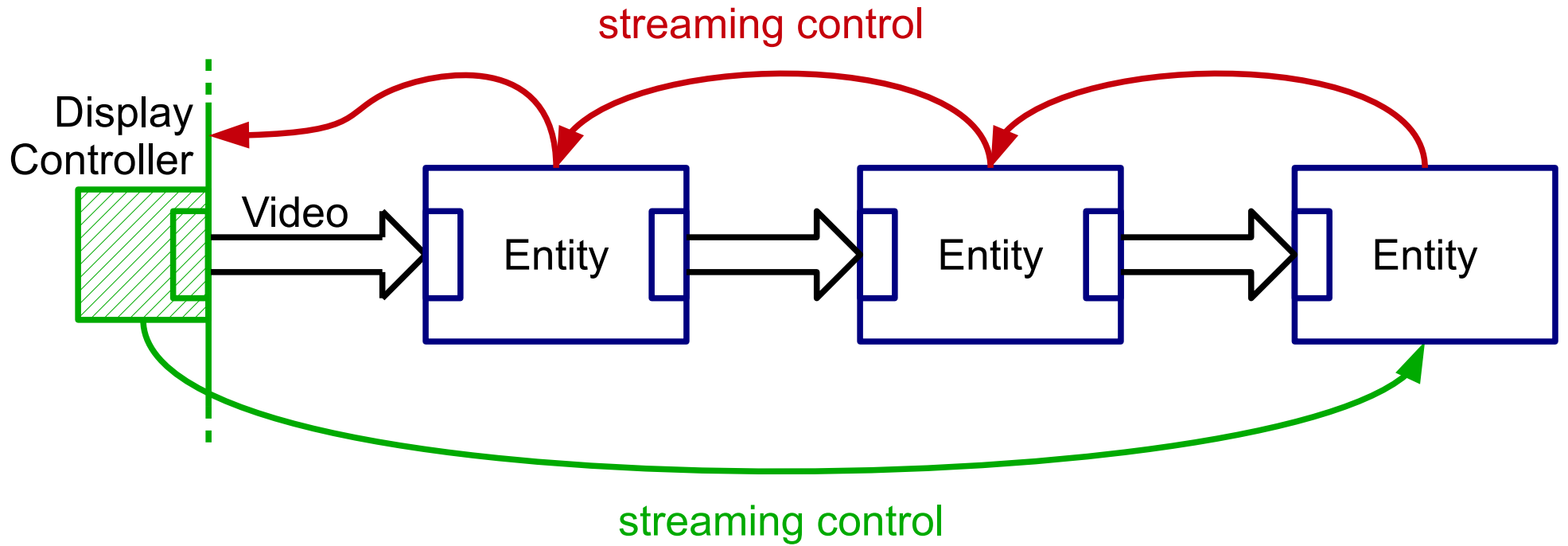
# Configuration Propagation



- get/set operations
- configuration stores

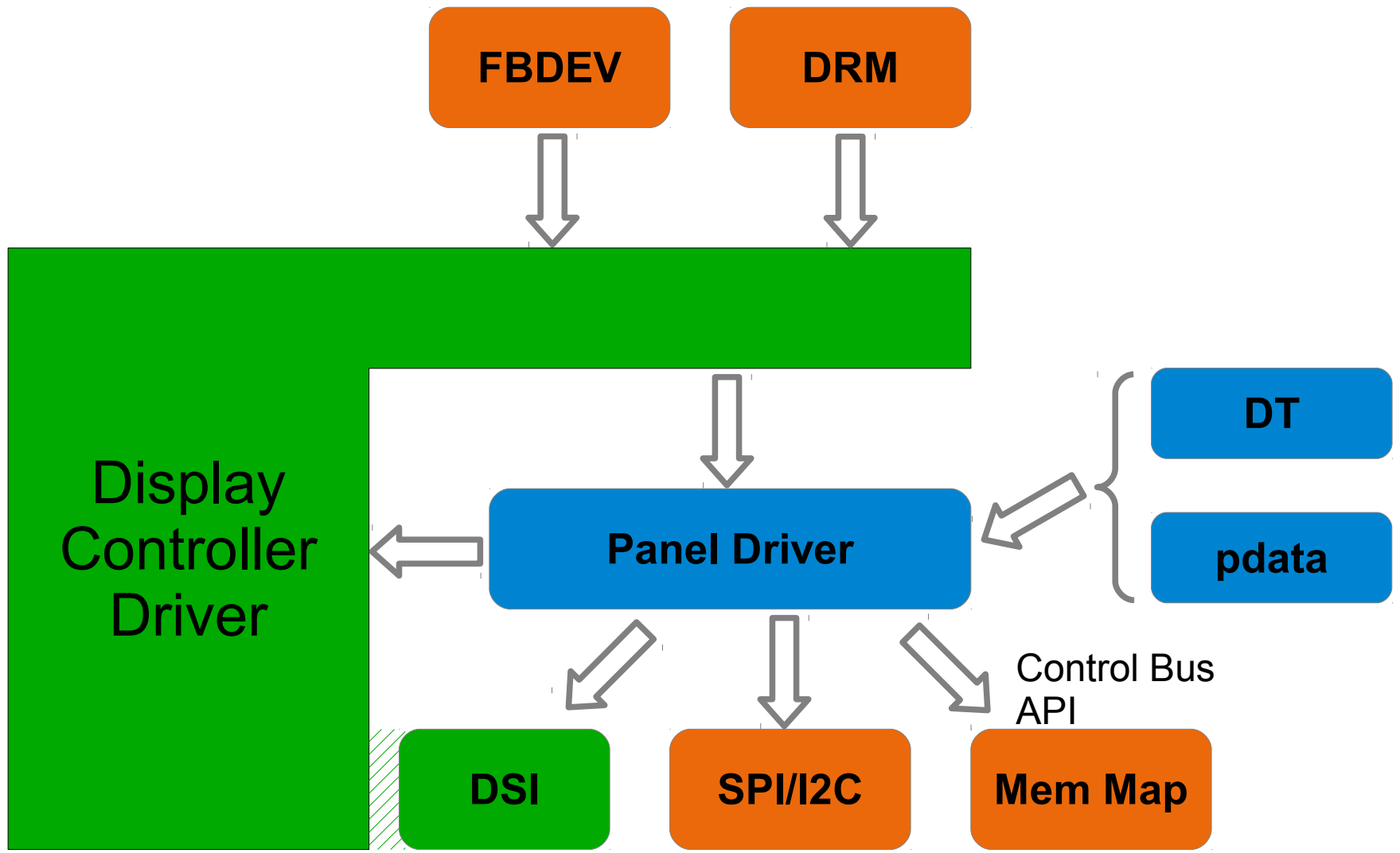


# Configuration Negotiation



# Streaming Control Model





# Integration